

INSTALLATION INSTRUCTIONS

Read instructions completely prior to installing Rimfire®
(Visit us at www.getrimfire.com for more helpful installation tips.)

Do not remove original wheel reflectors!

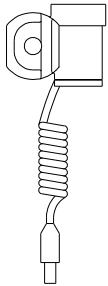
Rimfire® is used in addition to original equipment reflectors.

Riding at night is dangerous! Please use adult supervision and obey all local laws.

Not intended for motor vehicles.

Choking Hazard: Small parts not intended for children under 5 years.

Parts List



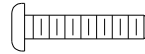
LED Light Lens (3)



Spoke Clip (6)



Lens Screw: M4x14mm (3)



Hub Screw: M4x22mm (6)



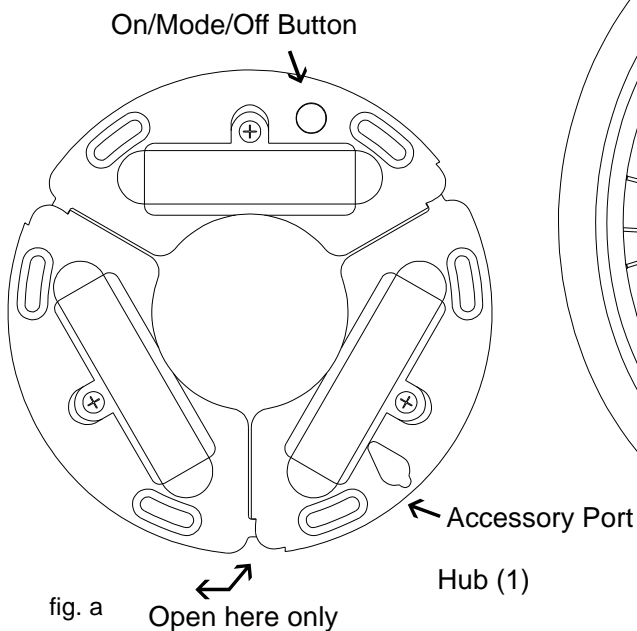
Split Washer (9)



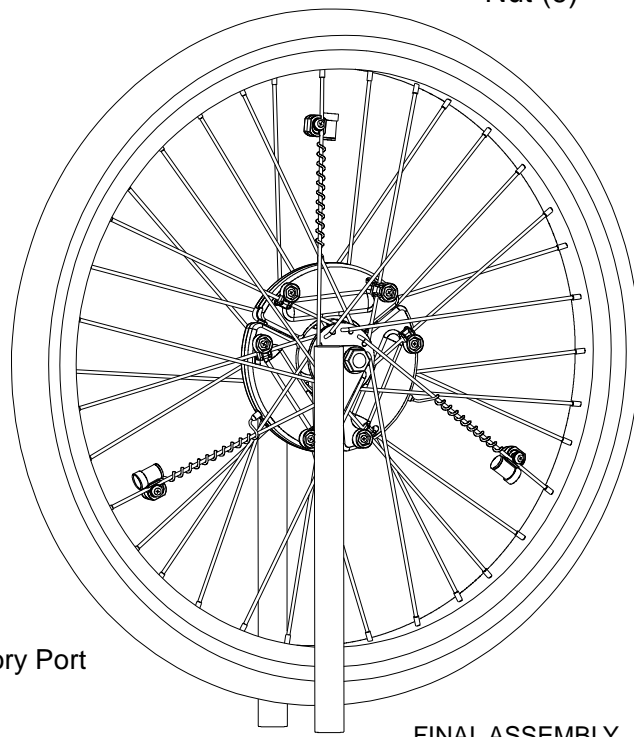
Washer (3)



Nut (9)



Hub (1)



FINAL ASSEMBLY

Tools required: Phillips screwdriver

Rimfire® Power Hub Installation

1. Install (3) AA batteries by removing battery cover screws and install batteries as shown in diagram inside of battery case. Reinstall battery cover and screws. (Do not over tighten)

Tip: Position bicycle upside-down for easier installation. The Rimfire® lighting system can be installed on either the front or rear wheel. Mount unit on the opposite side of the chain sprocket. (Usually mount unit on the left side of the wheel.)

The Rimfire® Power Hub is designed as a single unit. The hub separates at the point opposite from the housing with the On/Mode/Off button as shown in fig. a. When opened the knuckles allow the hub to be twisted to fit between the spokes. (Continued on page 2.)

2. Open the hub and feed it through the spokes with the On/Mode/Off button and battery door covers facing away from the spokes on the left side of the axle. (fig. b) Position hub around the axle and snap the unit back together. The back of the unit mounts against the spokes. Loosely install (3) spoke clips spaced evenly around hub to the nearest available spoke. (fig. c) ensure to install split washer on screw. (fig. c)

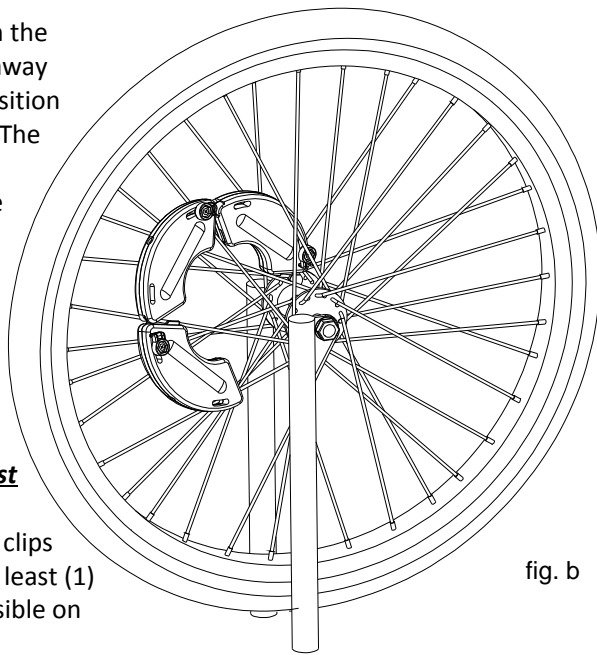


fig. b

3. Center hub around axle and lightly tighten screws. Slowly spin wheel to check for wobble. Make adjustments as necessary to remove wobble. When the hub is centered, tighten spoke clips snugly. Install and tighten remaining (3) spoke clips. Do not over tighten. **To ensure safe operation, the spoke clips must be installed properly.**

NOTE: some wheel designs will not allow all (6) spoke clips to be installed. Adjust Rimfire® Power Hub to allow at least (1) clip per section minimum. Install as many clips as possible on the Power Hub, especially for rugged use.

LED Light Lens Installation:

For best results, evenly space the three light lenses from one another around the wheel.

1. Install the lense as shown using the spoke closest to the corresponding plug receptacle on the hub. Ensure to install split washer first then washer on screw. ***Important! spoke must be between lens mounting slot and washer.*** (fig. d) Position the light lens on the spoke as close to the rim as possible and adjust the light lens so that the top is horizontal to the ground when in the 12 o'clock position (fig. e) and tighten screw. (Do not over tighten)

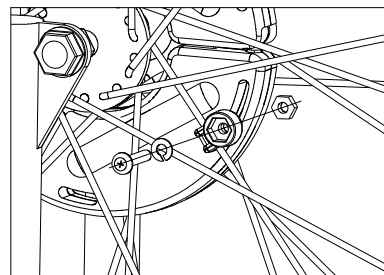


fig. c

2. Wrap the coiled wire around the spoke and insert plug into Power Hub jack. (fig. f) ***Important:*** Spin wheel and check for interference of Hub and light assemblies with bicycle forks, chain and brake parts. After first ride check and retighten all screws. (Do not over tighten) Periodically inspect all components for damage and screws for tightness.

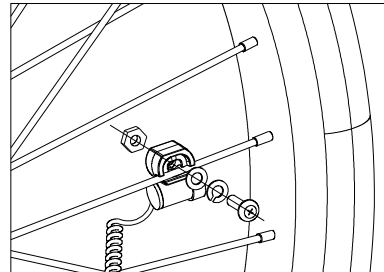


fig. d

Rimfire® operation:

Push the On/Mode/Off button to turn on unit. Each time the button is pressed changes the mode of light sequencing to create a different light pattern. You may select one of the eight modes or choose the final mode to have the unit automatically and continuously change modes every three seconds.

Rimfire® is equipped with an ***auto off*** function. If the unit senses no motion for five minutes it will automatically turn off to save battery power. The On/Mode/Off button must be pushed to turn unit back on.

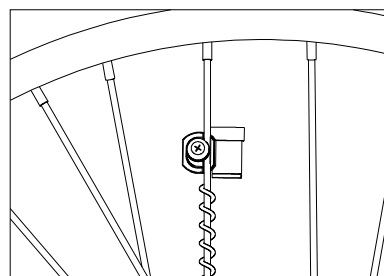


fig. e

Troubleshooting:

1. After installation lights do not come on:
 (A) Check to be sure batteries are installed correctly. Push the On/Mode/Off button again.
 (b) Be sure that all of the light plugs are inserted completely into Power Hub jack. (The black plastic part of the plug should touch the rubber grommet of the Power Hub.)

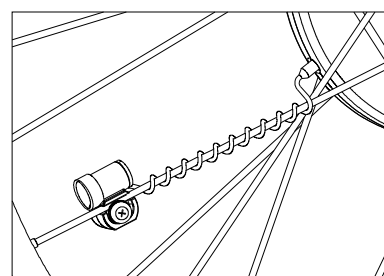


fig. f

2. Lights become very dim:(A) Replace batteries.